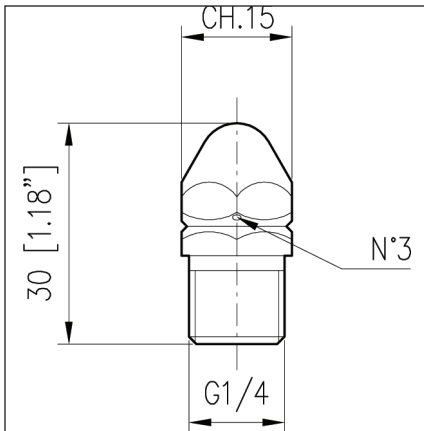




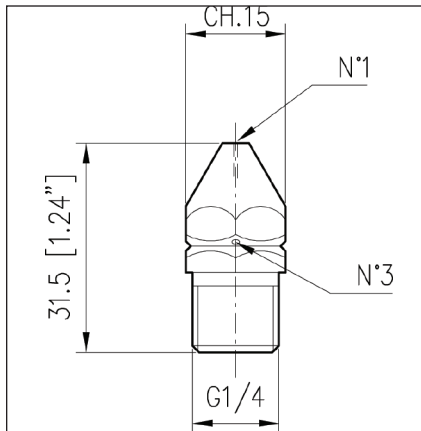
SPECIFICATIONS

Part Number	Description	Flow	Maximum Pressure	Inlet Thread	Maximum Temperature	Weight
YDRNT1	Microdrain, Brass, #3.5	2.3 GPM	1750 PSI	1/4" BSP-M	195° F	0.2 lbs.
YDRNT2	Microdrain, Stainless Steel, #4.0	3.8 GPM	3650 PSI	1/4" BSP-M		
YDRNT3	Microdrain, Stainless Steel, #6.0	5.7 GPM	3650 PSI	3/8" BSP-M		

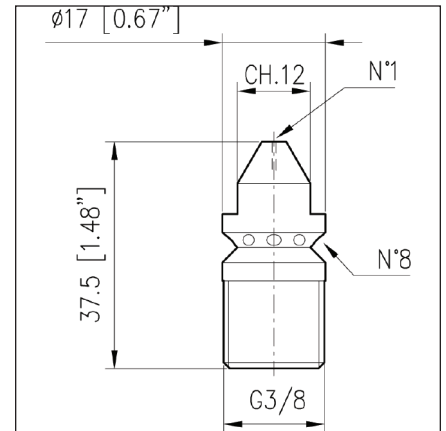
DIMENSIONS



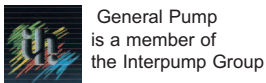
YDRNT1



YDRNT2



YDRNT3



Ref 300676 Rev. A
05-09

